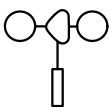


WINDSENSOR P2546A | CUP ANEMOMETER

CABLE RECOMMENDATION

Signal cable up to 150m: **2x0.5 mm² + shield**. For longer cable, please consult sensor manufacturer.

SENSOR WIRING TABLE

Sensor Model	Sensor Pin	Kintech Cable Colors	Kintech Connector R:3k3	Orbit 360			EOL Zenith			
				Section	Terminal	Type	Section	Terminal		
	Internal Pin	White	A	Red	Frequency Channels	3 6 9 12 15 18 21 24 27 30	5V	Anemometer Inputs	SV SV	
	External Pin	Brown	B	Black	Frequency Channels	1 4 7 10 13 16 19 22 25 28	(-)	Anemometer Inputs	- -	
					Green	Frequency Channels	2 5 8 11 14 17 20 23 26 29	Signal	Anemometer Inputs	1 2 3 4 5 6 7 8 9 10
	Shield	Yellow - Green				Power Input	⏏	BAT	⏏	

REQUIRED DATA LOGGER VERSION

Minimum data logger required: **ORBIT 360 BASIC PLUS**.

Minimum **firmware** required: **2.25**.

HOW TO CONFIGURE IN ATLAS

Start Atlas and open the data logger you are working on. Now go to *Site settings* and scroll down to the *Channels* section and select the following type and model:

- Group: Frequency channels
- Sensor Type: Anemometer
- Sensor Model: **Windsensor P2546A**

Important! Please make sure you are working with the latest version of Atlas. To check for new updates click the *Check for updates* button in the left-hand menu located in the main dashboard.

HOW TO CONFIGURE THIS SENSOR ON SITE

We recommend performing the entire sensor configuration using Atlas at the office before installing sensors onsite. Once the sensor is correctly setup in Atlas, use the *Upload settings* tool, to upload the sensor configuration to the data logger.

In case you are already on site and need to configure the sensor directly on the data logger, follow these steps:

1. Turn on the data logger.
2. Using the keypad on the data logger, navigate the menu until you see *Sensor model*, then click the “right arrow” on the keypad.
3. Now scroll down to the channel you are going to connect the sensor to, and click the “right arrow” on the keypad.
4. Now click “Set” on the keypad and scroll up in the menu to set the sensor model type according to the table here below. Once you have found the correct sensor model, click the “right arrow” key twice to select it and save.
5. Click the “left arrow” several times to go back to the main menu.

Data logger model	Firmware version	Sensor model type on data logger		
		Magnitude	Number	Name
ORBIT 360	≥ 2.25	Wind speed	04	Windsensor P2546A
	< 2.25	Wind speed	04	RISO_P2546
EOL ZENITH	any	Wind speed	04	RISO_P2546

HOW TO CONFIGURE IN EOL MANAGER

Open EOL Manager and go to *Settings* of the data logger you are working on. Open the *Inputs* tab and select the following type and model:

- Group: Anemometers/Frequency
- Sensor Type: Anemometer
- Sensor Model: **RISO P2546**

Last modified: 14.06.2021

For more information please contact web@kintech-engineering.com or visit our website www.kintech-engineering.com

