

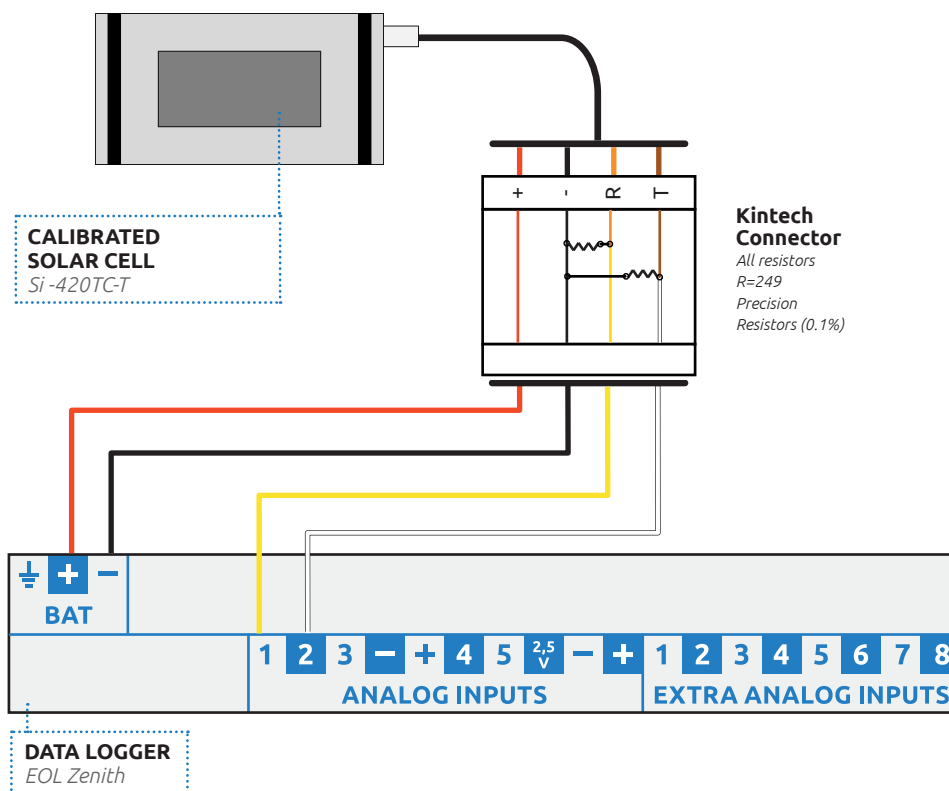
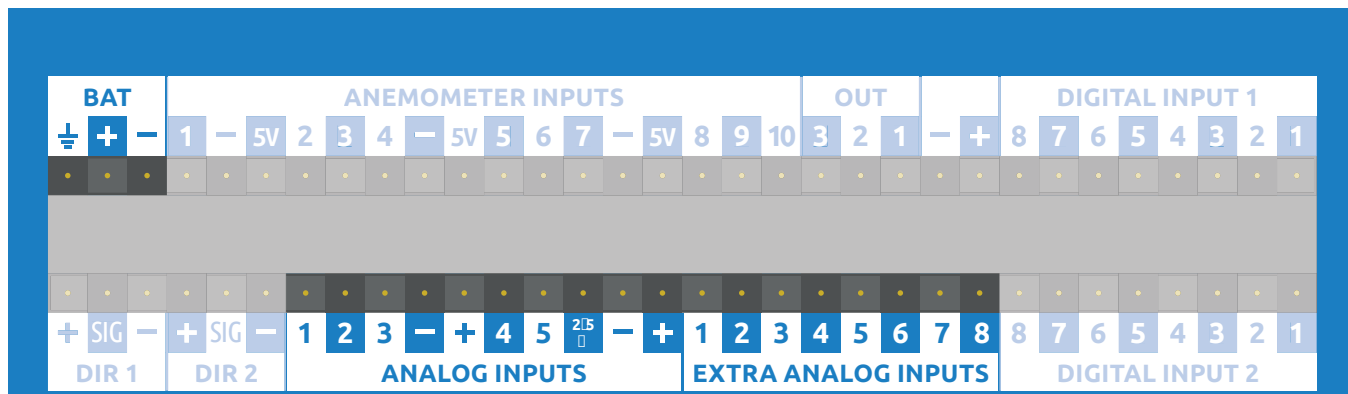
CALIBRATED SOLAR CELL

Si-420TC-TC

INSTRUCTIONS

Use the following input channels on the logger to connect this sensor. See highlighted input channels marked here below. The wire colors used in the connection diagram below only applies in case the cable is supplied by Kintech Engineering.

For additional wiring & shielding information see the chapter "IMPORTANT" at the end of this dataheet.



SENSOR PIN DESCRIPTION		KINTECH CONNECTOR		DATA LOGGER INPUT CHANNEL		KINTECH COLOR CODES	
●	Supply (+)	+	Supply (+)	BAT	(+)	●	Red
●	Supply (-)	-	Supply (-)	BAT	(-)	●	Black
●	Irradiance	R	Irradiance	ANALOG INPUTS	1	●	Yellow
●	Temperature	T	Temperature	ANALOG INPUTS	2	○	Green

HOW TO CONFIGURE THIS SENSOR IN EOL MANAGER

Open EOL Manager and go to the data logger you are working on. Open the “inputs” tab and select the following type and model:

- ▀ **Section:** Analog Inputs
- ▀ **Type1 & 2:** Voltmeter
- ▀ **Model:** Generic Voltmeter

Calibration values: Type the values of **slope1 (301.2048)** and **offset1 (-300) [W/m²]**, **slope2 (50.2008)** and **offset2 (-173.5) [°C]** shown below. If you have an independent calibration certificate for this sensor insert the slope and offset values from this certificate.

Analog Inputs

Ignore	Channel	Type	Model	Units	Serial Number	Height	Boom	Username	Std Cal	Slope	Offset	Std Dev	Max	Min
<input type="checkbox"/>	ANL1	Voltmeter	Generic Voltmeter	W/m ²		0	0	Irradiance	<input type="checkbox"/>	301,204800	-300,000000	<input checked="" type="checkbox"/>	<input checked="" type="checkbox"/>	<input checked="" type="checkbox"/>
<input type="checkbox"/>	ANL2	Voltmeter	Generic Voltmeter	T		0	0	Temperature	<input type="checkbox"/>	50,200800	-173,500000	<input checked="" type="checkbox"/>	<input checked="" type="checkbox"/>	<input checked="" type="checkbox"/>
<input type="checkbox"/>	ANL3	---	---			0	0	Analog3	<input type="checkbox"/>	0,000000	0,000000	<input type="checkbox"/>	<input type="checkbox"/>	<input type="checkbox"/>

SENSOR SELECTION

MODEL SELECTION

DATASHEET DOWNLOAD

CALIBRATION REQUIRED

IMPORTANT

- ▀ After configuring the sensor in EOL Manager make sure to upload the configuration file to your EOL Zenith data logger. See the “Quick User Guide” how to upload configuration files to the data logger.
- ▀ All sensor wire shields must be connected to the data logger GND terminal.
- ▀ The data logger should always be connected to a separated ground rod. **Not** to the lightning rod of the tower.

- ▀ To store data such as Std Dev, Max and Min you should tick the corresponding boxes next to each anemometer channel when setting up your site file. Otherwise these parameters will not be stored.
- ▀ It can however be distributed on all “ANALOG” and “EXTRA ANALOG” channels according to needs.
- ▀ Manufacturing calibration data:

Irradiation range 0...1200 W/m ²	Output 4...20 mA
Temperature range -123.5...+76.5 °C	Output 4...20 mA

Last modified: 25.09.2017