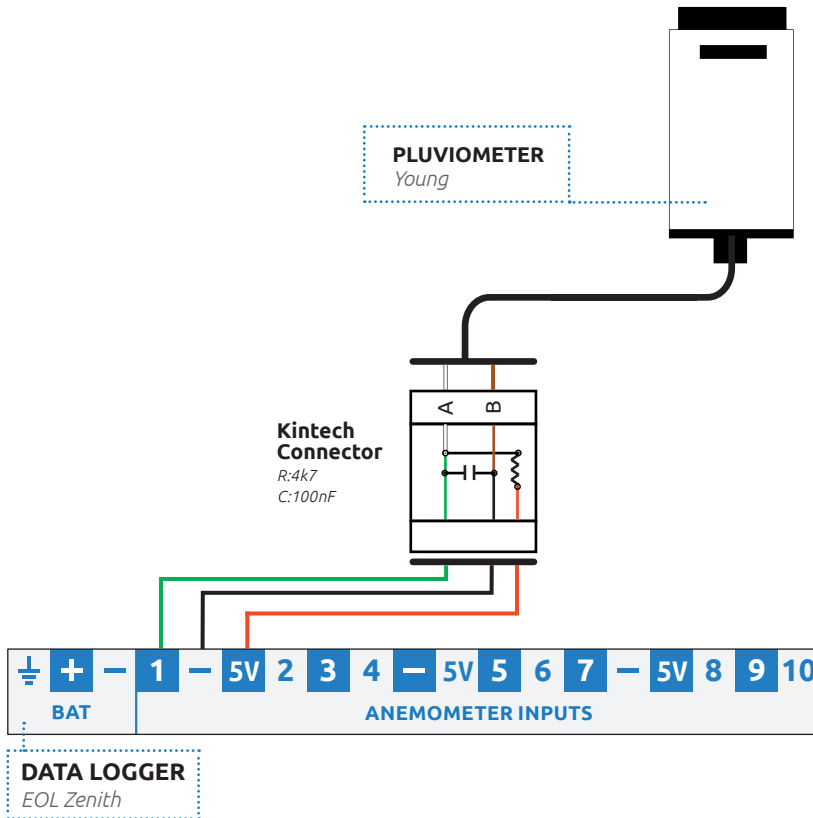
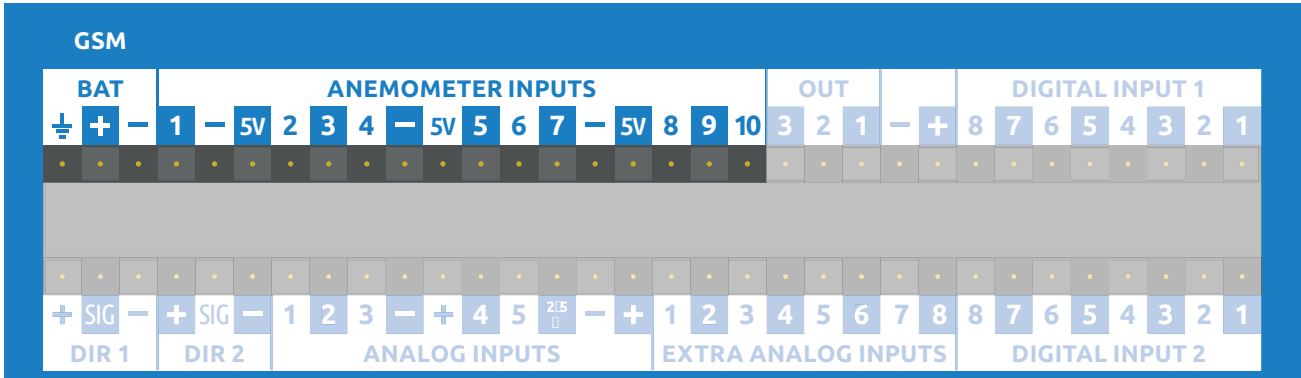


PLUVIOMETER

YOUNG

INSTRUCTIONS

Use the following input channels on the logger to connect this sensor. See highlighted input channels marked here below. The wire colors used in the connection diagram below only applies in case the cable is supplied by Kintech Engineering.



SENSOR PIN DESCRIPTION		KINTECH CONNECTOR		DATA LOGGER INPUT CHANNEL		KINTECH COLOR CODES	
○	Signal	A	Signal	Anemometer Inputs	1	●	Green
●	Reference	B	Reference	Anemometer Inputs	(-)	●	Black
			Supply	Anemometer Inputs	5V	●	Red

HOW TO CONFIGURE THIS SENSOR IN EOL MANAGER

Open EOL Manager and go to the data logger you are working on. Open the “inputs” tab and select the following type and model:

- **Section:** Anemometers/Frequency
- **Type:** Pluviometer
- **Model:** Pluviometer 0.1mm

Calibration values: Tick the “Std Cal” to use this sensors standard slope and offset. If you have the Measnet calibration certificate for this sensor insert the slope and offset values from this certificate.

Anemometers/Frequency

Ignore	Channel	Type	Model	Units	Serial Number	Height	Boom	Username	Std Cal	Slope	Offset	Std Dev	Max	Min
<input type="checkbox"/>	ANE1	Pluviometer	Pluviometer 0.1 mm	mm		0	0	PREC1_0_0_Plu...	<input checked="" type="checkbox"/>	0.100000	0.000000	<input checked="" type="checkbox"/>	<input checked="" type="checkbox"/>	<input checked="" type="checkbox"/>
<input type="checkbox"/>	ANE2	Anemometer	-----	m/s		0	0	Anemo2	<input type="checkbox"/>	0.000000	0.000000	<input checked="" type="checkbox"/>	<input checked="" type="checkbox"/>	<input checked="" type="checkbox"/>

SENSOR SELECTION

MODEL SELECTION

DATASHEET DOWNLOAD

STANDARD CALIBRATION

IMPORTANT

- After configuring the sensor in EOL Manager make sure to upload the configuration file to your EOL Zenith data logger. See the “Quick User Guide” how to upload configuration files to the data logger.
- All sensor wire shields must be connected to the data logger GND terminal.
- The data logger should always be connected to a separated ground rod. **Not** to the lightning rod of the tower.
- The three 5V power supply outputs are completely independent and not associated to any of the signal inputs. The three 5V outputs can therefore be distributed according to needs.
- To store data such as Std Dev, Max and Min you should tick the corresponding boxes next to each anemometer channel when setting up your site file. Otherwise these parameters will not be stored.